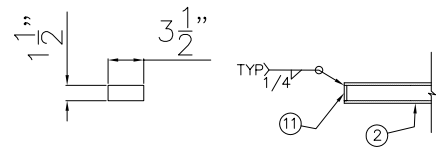
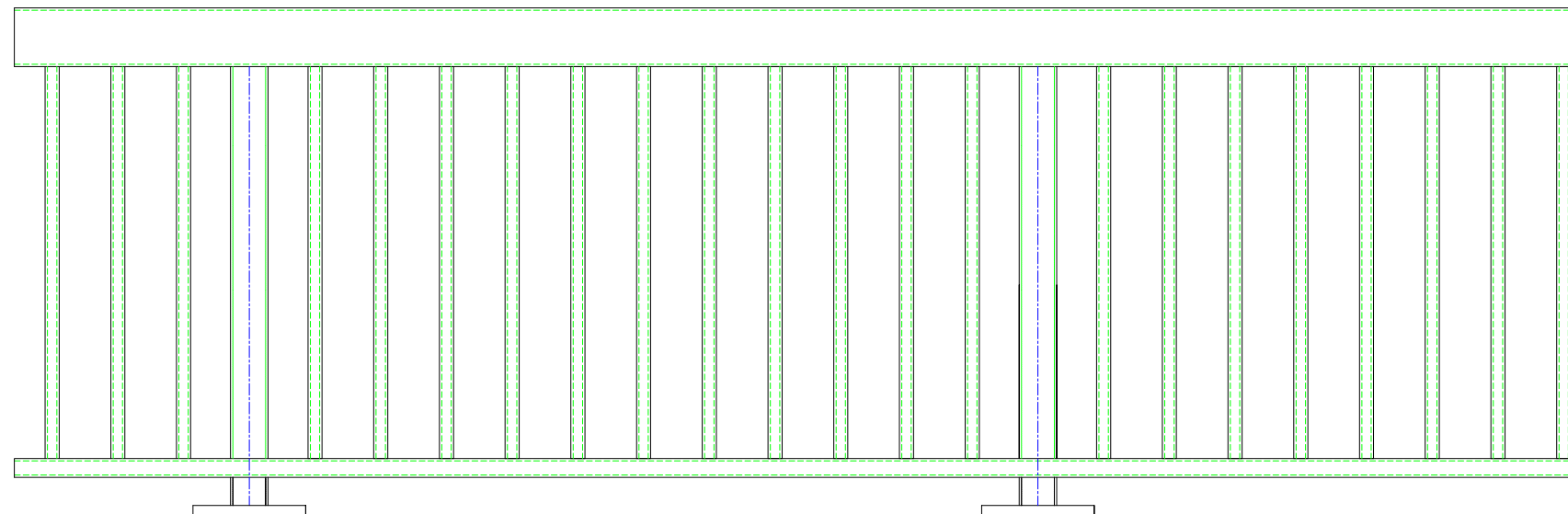


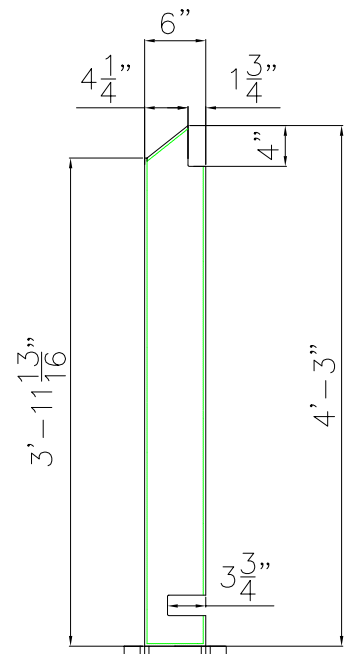
10 TOP RAIL END CAP



11 BOTTOM RAIL END CAP

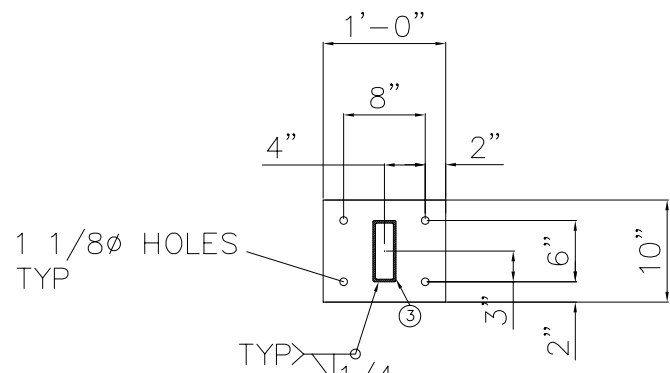


TYPICAL PANEL



3 RAIL POST DETAIL

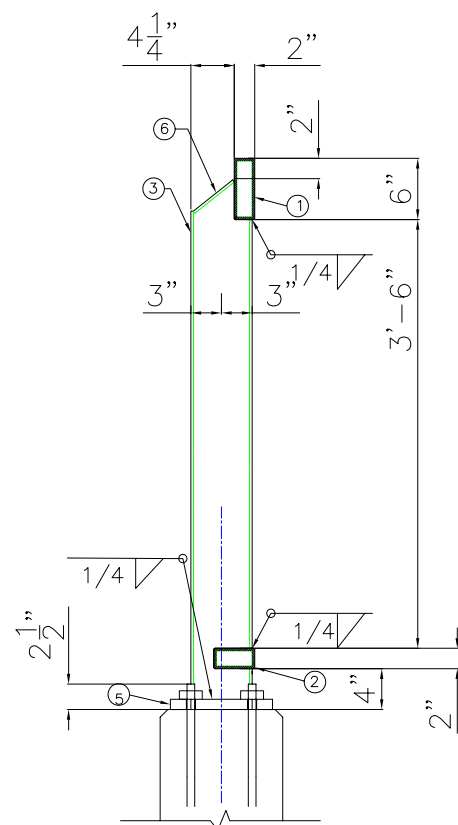
6" x 4" x 1/4"



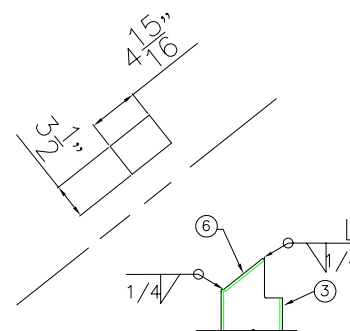
5 BASE PLATE DETAIL

10" X 12" X 1"

**789 EPOXY ANCHOR,
NUT, WASHER**

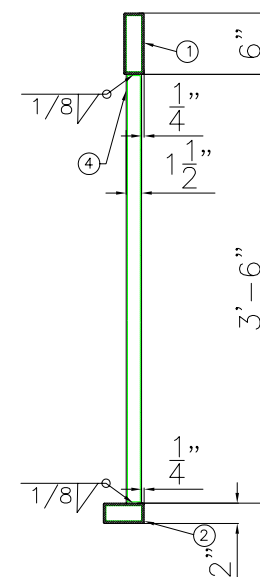


SECTION AT POST



6 POST CAP

4 15/16" X 3 1/2" X 1/4"



SECTION AT PICKET

G.S.I. HIGHWAY PRODUCTS

720 W. WINTERGREEN RD., HUTCHINS, TEXAS 75141 (972) 225-1660

CONTRACTOR:

SCALE: NONE

GSI#:

DATE: 10/14/04

REVISED:

CHECKED:

DRAWN: DUGAN