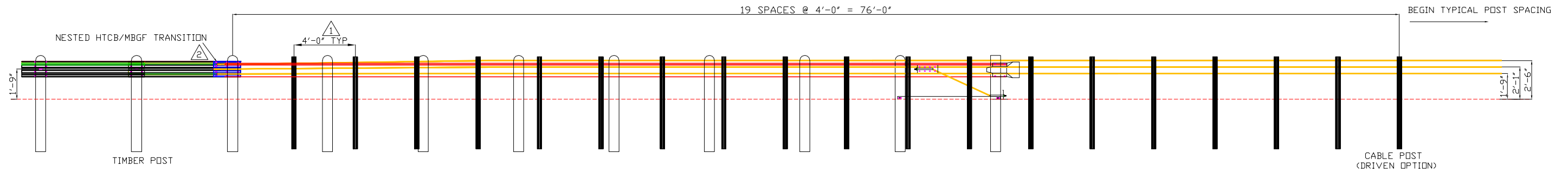
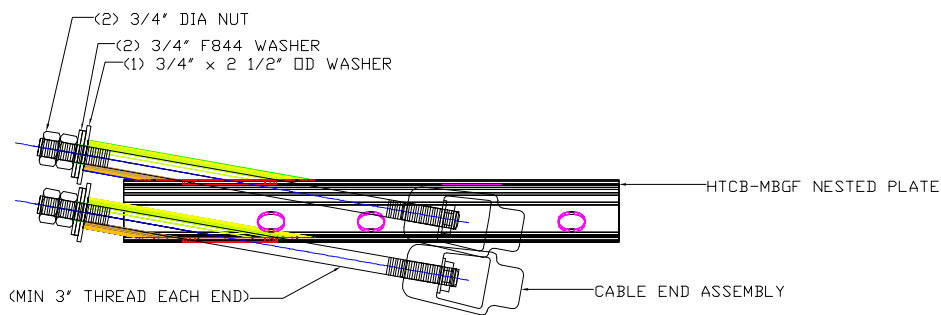


PLAN VIEW



ELEVATION VIEW



PLAN VIEW
CABLE TERMINATION
(6'-3" GUARDRAIL PANEL NOT SHOWN)

- NOTES:
1. POST SPACING REDUCED PER CABLE MANUFACTURER'S SPECIFICATION TO ACHIEVE DEFLECTIONS SIMILAR TO MBGF.
 2. INSTALL CABLE END ASSEMBLIES, PASS THREADED RODS THROUGH NESTED PLATE..
 3. M.E.L.T. OR OTHER APPROVED END TERMINAL.

HTCB-MBGF TRANSITION BILL OF MATERIALS

PART	DESCRIPTION	AMOUNT	UNITS	QUANTITY	EXTENSION
05256	CABLE TRANS MBGF PANEL 6'-3"		EA	1	1
05257	CABLE TRANSITION NESTED PLATE		EA	1	1
01015	5/8" x 2" G.R. SPLICE BOLT		EA	12	12
01055	5/8" DBL REC G.R. NUT		EA	12	12
05206-18	CABLE END ASSEMBLY (18") (INCLUDES THREADED ROD, NUTS & WASHERS)		EA	3	3

G.S.I. HIGH TENSION CABLE, LP

720 W. WINTERGREEN RD., HUTCHINS, TEXAS 75141 (972) 225-1660

CONTRACTOR:

SCALE: VARIES GSI#: 1431-1 DATE: 03/25/08

REVISED: CHECKED: DRAWN: DPD

NESTED PLATE DETAIL FOR HTCB TO MBGF TRANSITION

TYPE MBGF/HTCB TRANSITION

LAYOUT

1 / 2