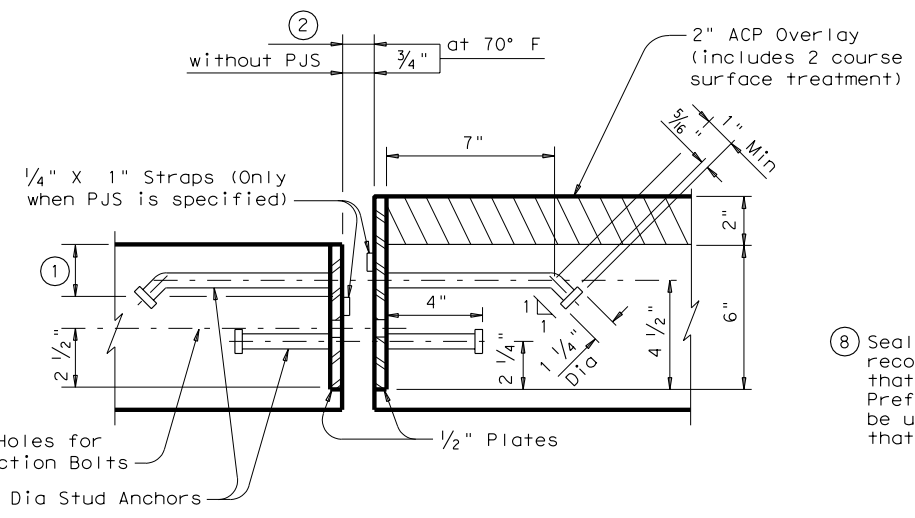


PLANS OF ARMOR JOINTS



SECTION THRU ARMOR JOINT

WEIGHTS P.L.F. FOR ONE ARMOR JOINT (2 PLATES)

WITHOUT OVERLAY	WITHOUT PJS	22.90 Lb
	WITH PJS (8)	23.76 Lb
WITH 2" OVERLAY (7)	WITHOUT PJS	29.70 Lb
	WITH PJS (8)	30.56 Lb

(7) Adjust values by 1.70 Lbs for each 1/2" variation from the 2" thickness.

TABLE OF PJS SIZES (8)

Joint Opening	PJS Size
1 1/4"	2"
1 1/2"	2 1/2"
1 3/4"	3"
2"	3 1/2"
2 1/2"	4"

(8) Sealed Expansion Joints (SEJ) are recommended for new structures that require joints to be sealed. Prefomed Joint Sealer (PJS) may be used on structures with PJS that are being widened.

GENERAL NOTES:

Armor joints shall be provided at all locations shown on plans. Provision for preformed joint sealer shall be made when thus indicated on bridge layout "Armor Joint (PJS)" or otherwise noted in plans. (8)

Armor Plates shall be shipped in convenient lengths of 24'-0" max and 10'-0" min unless otherwise necessary for stage construction or widenings. One shop splice will be permitted in each shipping length provided no piece is less than 2'-0" in length and sufficient studs are added to limit the stud to shop splice distance to 2" Min and 4" Max.

Shop and field welded butt splices shall be made by groove welding. Areas in contact with preformed joint sealer shall be ground smooth. Field splice preparations shall be performed in the shop.

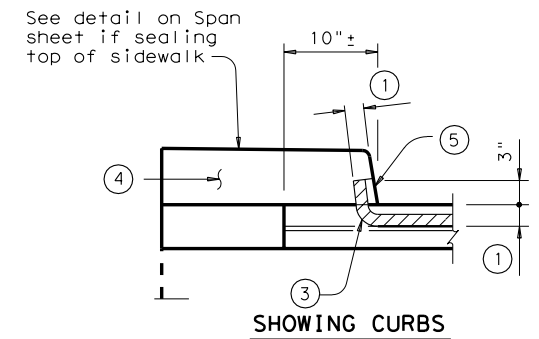
Stud anchors shall be electric arc end-welded to the plates with complete fusion. Erection holes shall be punched to line up in final position of Armor Joint. Corresponding plate sections shall be match marked and bolted together for shipment.

All steel parts are not to be painted or primed unless designated elsewhere on the plans.

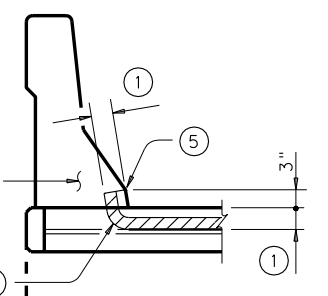
The Contractor shall arrange for securing the Armor Joint in position, and placing to the proper grade and alignment by welding braces to adjacent reinforcing steel. Cost of temporary bracing is to be included in the price bid for Structural Steel Armor Joint.

After bracing and welding the armor plates, the erection bolts and spacers shall be removed before placing slab concrete.

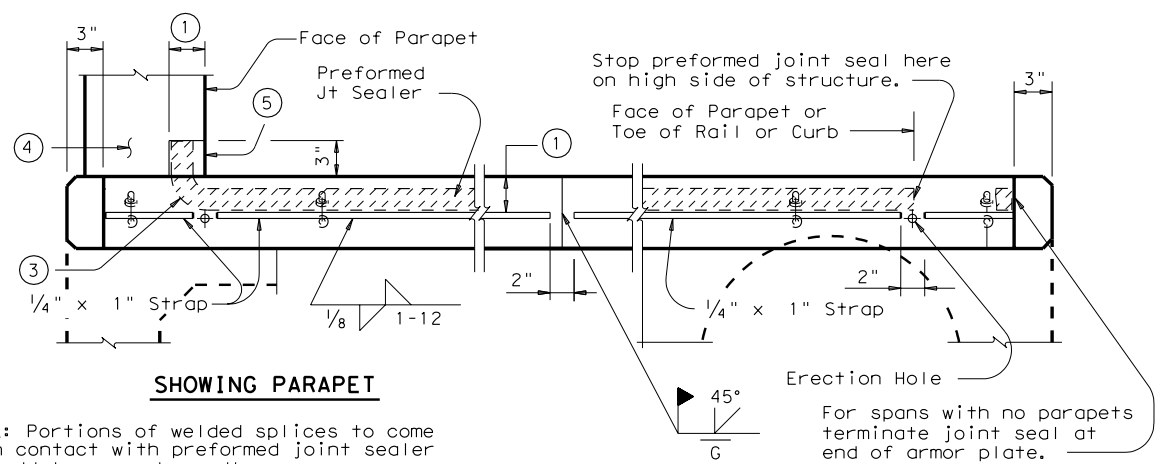
DISCLAIMER: The use of this standard is governed by the "Texas Engineering Practice Act". No warranty of any kind is made by TxDOT for any purpose whatsoever. TxDOT assumes no responsibility for the conversion of this standard to other formats or for incorrect results or damages resulting from its use.



SHOWING CURBS



SHOWING BARRIER RAILS

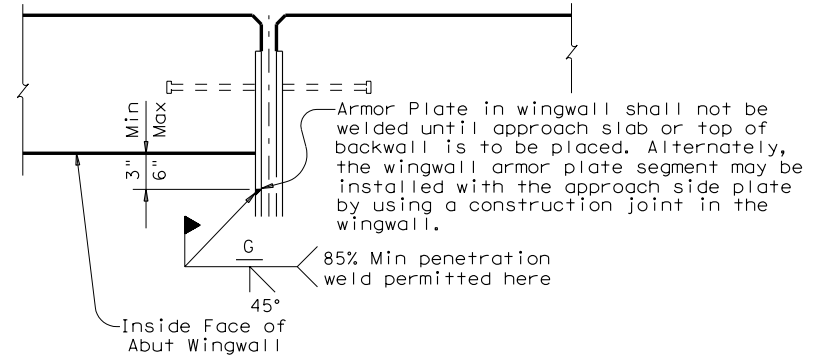


SHOWING PARAPET

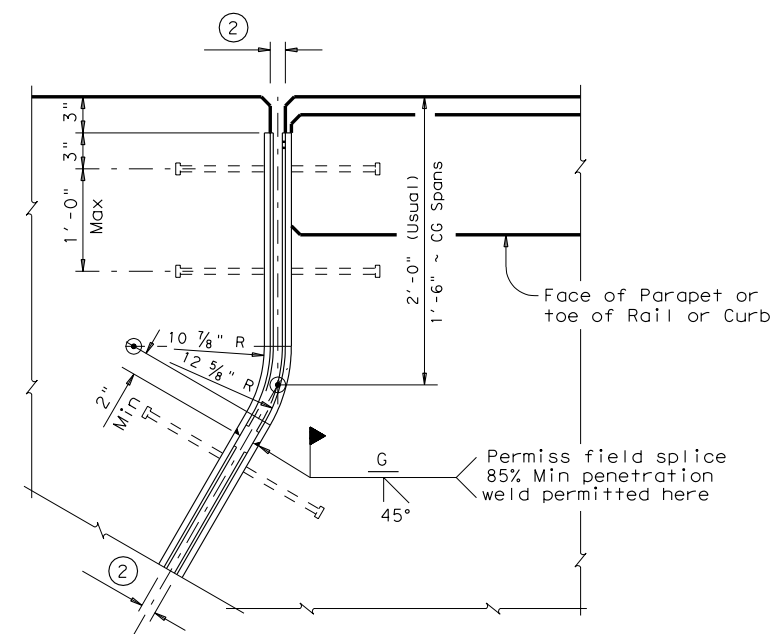
INSTALLATION OF PREFORMED JOINT SEALER

(Slab on Stringers, CG Spans or Box Beam Spans)

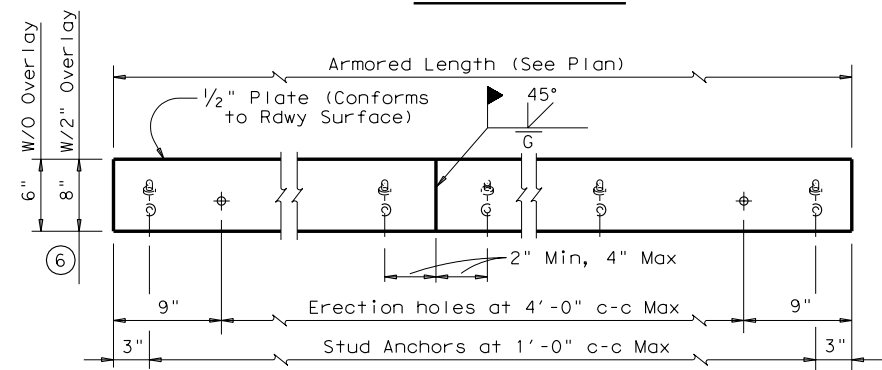
- Varies ~ Actual depth of Joint Sealer plus 1".
- See table for Joint opening with PJS.
- The bottom portion of the seal may be cut or portions removed to facilitate vertical bending only. Any authorized cutting shall be to smooth lines and round curves.
- If PJS is to be used, extend End of Parapet, Barrier Rail or Curb 1/4" into Jt Opening (each side of Jt).
- Form 1/4" recess in Parapet, Barrier Rail or Curb to receive PJS.



DETAIL "B"



DETAIL "A"



ELEVATION OF BASIC ARMOR PLATE

(6) Adjust 8" plate height for Overlay thicknesses other than 2" shown.



ARMOR JOINT DETAILS

AJ

FILE: ajstd01.dgn	DN: THD	CK: THD	DW: DRG	CK: LDS	STD: B14
© TxDOT September 1998			DIST	FED REG	FEDERAL AID PROJECT
REVISIONS			6		
COUNTY	CONTROL	SECT	JOB	HIGHWAY	

ACC: LEVELS DISPLAYED

1	2
---	---