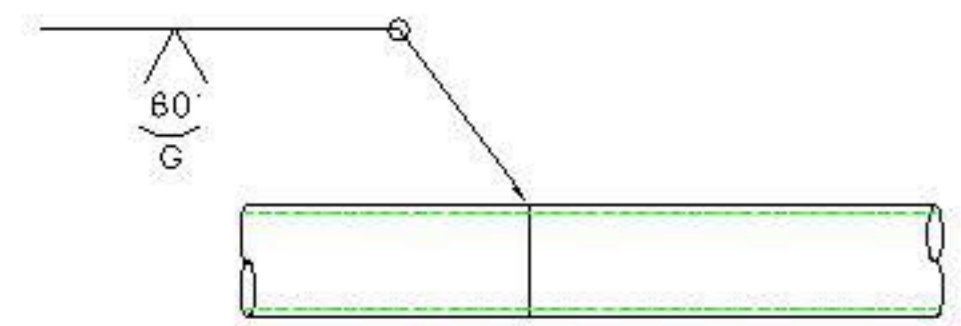


RAIL POST & ANCHORAGE DETAILS

- $\triangle 1$ Base plate and anchorage modified per HP Engineer's report "Adhesive Anchor Design", dated 8/2006.
- $\triangle 2$ Post upright modified to incorporate latest DOT approved enhancements:
 - Post notched to accept 2" pipe handrail.
 - Fillet weld at 2" pipe increased from $\frac{1}{8}$ " to $\frac{1}{4}$ ".
 - Upright-to-baseplate connection increased to 6" with $\frac{3}{16}$ " fillet weld.

Supporting documentation for modifications is on file at GSI Highway Products.



ONE SHOP SPLICE PER RAIL MEMBER SECTION IS PERMITTED WITH MINIMUM 85 PERCENT PENETRATION. THE WELD MAY BE SQUARE GROOVE OR SINGLE VEE GROOVE. GRIND SMOOTH.

G.S.I. HIGHWAY PRODUCTS		
720 W. WINTERGREEN RD., HUTCHINS, TEXAS 75141 (972) 225-1660		
CONTRACTOR: RUSSELL ENGINEERING		
SCALE: NONE	GSI#: 1037-1	DATE: 09/28/06
REVISED:	CHECKED:	DRAWN: DUGAN
BROWARD COUNTY S.R. 842		
FP ID 227861-1-52-01		BROWARD COUNTY 86006
TYPE C4(S) RAIL	FABRICATION WALL "D"	13 / 14